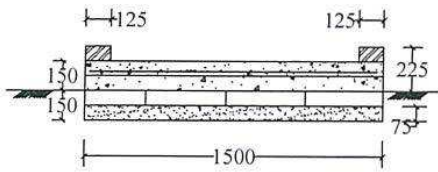
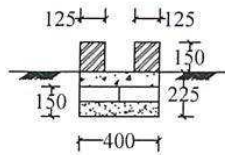


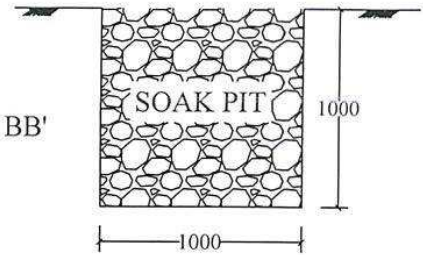
## MODEL DRAWING FOR CONSTRUCTION OF TUBE WELL PLATFORM WITH DRAIN AND SOAK PIT UNDER MGNREGA



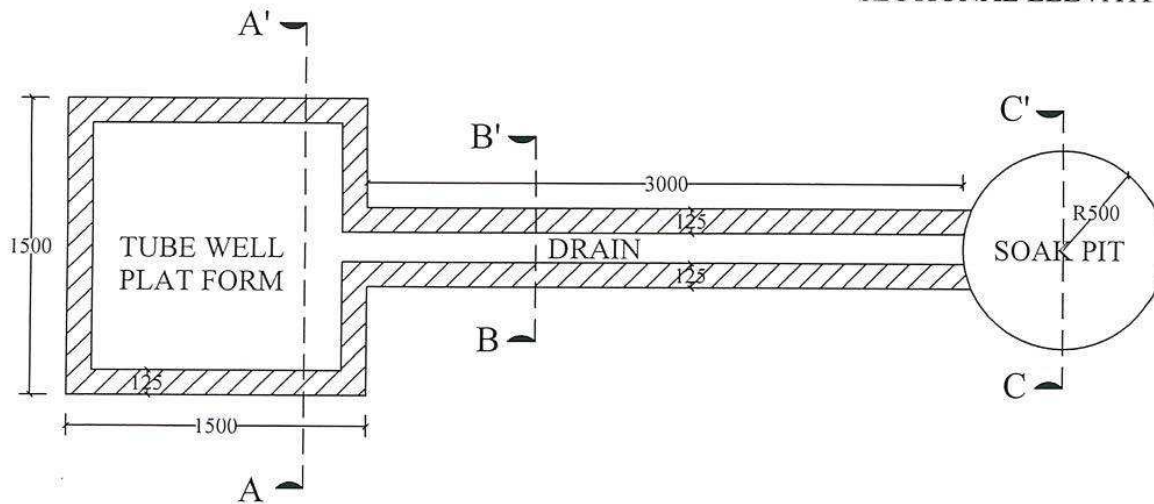
SECTIONAL ELEVATION AT AA'



SECTIONAL ELEVATION AT BB'



SECTIONAL ELEVATION AT CC'



PLAN OF TUBE WELL PLATFORM WITH DRAIN AND SOAK PIT

ALL DIMENTION ARE IN MM

PREPARED BY

*Debasis Ghanta*  
**DEBASIS GHANTA**  
 Technical Assistant, MGNREGS

SIGNATURE OF  
 AUTHORITY

VETTED BY

*Pranab Kumar*  
 Assistant Engineer  
 Dist.-MGNREGS Cell  
 Tamiuk, Purba Medinipur

**MODEL ESTIMATE OF CONSTRUCTION OF TUBE WELL PLATFORM WITH DRAIN AND SOAK PIT UNDER MGNREGA FOR .**

**A) Detailed Estimate of Tube Well/ Stand post platform (1.50 m x 1.50 m)**

Sl. No.	Description of Items	No.	Length	Breadth	Height	Qty.	Unit	Materials							Labour				
								Brick (in Pcs)	Cement (in Bags)	Silver sand	Sand (in m3)	Stone chips (in m3)	Jhama khoa (in m3)	Steel (in Kg)	Sk	Ssk	Usk		
1	Earthwork in excavation of foundation trenches or drains, in all sorts of soil .. as required complete. (a) Depth of excavation not exceeding 1,500 mm. [1-Usk per 62.0 c.ft; (considering Ordinary mixed soil to be excavated by spade ..... lead upto 80'-0" & lift not exceeding 5'-0")]	1	1.500	1.500	0.150	0.338	m3												0.19
2	Filling in foundation trenches or plinth with silver sand ..... layer complete. [1-Usk per 4.6 m3]	1	1.500	1.500	0.750	1.688	m3			1.69									0.37
3	Single Brick Flat Soling ..... [1-Ssk & 4-Usk per 34.0 m2] [Brick-3228 nos per % m2]	1	1.500	1.500	-	2.250	m2	73									0.066		0.26
4	Cement concrete with graded jhama khoa (40mm size) excluding shuttering (6:3:1). [2-Sk & 3-Usk per 2.1 m3] [Jhama khoa-0.96 m3, Sand-0.48 m3 & Cement-0.16 m3 per m3]	1	4.875	0.250	0.075	0.091	m3	0.000	0.421		0.044	0	0.088	0.000	0.087	0.000	0.000	0.131	
5	Breaking of Jhama bats to Jhama khoa (63mm to 45mm); = 0.179 m3 [1-Usk per 1.20 m3]	1	0.088	x	1.100	0.097								0	0.000	0.080			
6	125 mm thick Brick work with 1st class bricks in cement mortar (1 : 4) [3-Sk & 4-Usk per 24.0 m2] [Brick-4951 nos, Sand-3.66 m3 & Cement-0.914 m3 per % m2]	2	1.500	0.000	0.150	0.225	m2	20	0.11	0.02					0.05		0.07		
		2	1.250	0.000	0.150	0.188													
				Total		0.413													
7	Ordinary Cement concrete (mix 1 : 2 : 4) with stone chips (20 mm nominal size) excluding shuttering. A) Pakur Variety [2-Sk & 3-Usk per 2.0 m3] [Stone chips-0.88m3, Sand-0.44 m3 & Cement-0.22 m3 per m3]	1	1.500	1.500	0.075	0.169	m3		1.07		0.07	0.15			0.17		0.253		
8	Reinforcement for reinforced concrete work in all sorts of structure ..... Tor steel/mild steel (using 6 mm bar) [3-Sk (Rod binder) & 2-Usk per 220 Kg]	0.8% of total RCC Volume				10.598								10.598	0.145	0.000	0.096		
9	Plaster (to wall, floor, ceiling etc.) with sand and cement mortar ...i) With (1 : 4) cement mortar (c) 12 mm thick plaster [2-Sk & 3-Usk per 18.0 m2] [Cement-0.366 m3 & Sand-1.46 m3 per %m2]	-	6.000	0.425	-	4.113	m2		0.43	0.06					0.46		0.69		
		-	1.250	-	1.250														
10	Neat cement punning about 1.5 mm. thick in wall, dado, window, sills, floor, drain etc. [2-Sk & 1-Usk per 50.0 m2] [Cement-0.152 m3 per %m2]	Same as the plastered area				4.113	m2		0.18					0.16		0.08			
<b>Total</b>								93	2.21	1.69	0.19	0.15	0.09	10.598	0.93	0.066	2.22		
<b>Say</b>								93	2.21	1.69	0.19	0.15	0.09	10.60	0.93	0.07	2.22		

*Debasis Ghanta*  
**DEBASIS GHANTA**  
 Technical Assistant, MGNREGS

**Abstract Sheet for Tube Well platform/ Stand post (1.50 m x 1.50 m)**

Sl. No.	Item	Quantity	unit	Rate	Unit	Amount
1	1st Class Brick (kiln burnt)	93.05	Each	8.80	Each	818.87
2	Cement (ISO 9001)	2.21	bag	368.00	Bag	814.72
3	Brick bats	0.09	m3	1170.00	Cft.	105.30
4	Course Sand	0.19	m3	670.00	Cft.	129.49
4	Silver Sand	1.69	m3	350.00	Cft.	590.80
5	20 mm stone chips	0.15	m3	2500.00	Cft.	371.25
6	Steel ( using 8mm dia)	10.60	Kg	52.00	Kg	551.07
7	Permanent Display board	1.00	no.	2300.00	no.	2300.00
8	Ploythene Sheet	2.25	m2	10.00	m2	10.00
8	Semi Skilled labour for masonry work	0.066	no.	270.00	no.	17.87
9	Skill labour for masonry work.	0.93	no.	360.00	no.	336.49
9	Transportation, overhead & incidental Cost	Lump sum				135.00
<b>Wage Component</b>						
10	USK Cost for Masonry Work	2.22	nos.	180.00	no.	399.86
<b>Grand Total</b>						<b>6581.00</b>

**B) Detailed estimate of surface Drain (length - 3.00 mtr.) from Tube-well platform to Soak Pit**

Sl. No.	Description of Items	No.	Length	Breadth	Height	Qty.	Unit	Materials						Labour				
								Brick (in Pcs)	Cement (in Bags)	Sand (in m3.)	Stone chips (in m3)	Jhama khoa (in.m3)	Steel (in Kg)	Sk	Ssk	Usk		
1	Earthwork in excavation of foundation trenches or drains, in all sorts of soil .. as required complete. (a) Depth of excavation not exceeding 1,500 mm. [1-Usk per 62.0 cft; (considering, Ordinary mixed soil to be excavated by spade ..... lead upto 80'-0" & lift not exceeding 5'-0")]	1	3.000	0.400	0.150	0.180	m3											0.10
2	Single Brick Flat Soling ..... [1-Ssk & 4-Usk per 34.0 m2] [Brick-3228 nos per % m2]	1	3.000	0.400	.	1.200	m2	39									0.035	0.14
3	Cement concrete with graded jhama khoa (40mm size)excluding shuttering (6:3:1). [2-Sk & 3-Usk per 2.1 m3] [Jhama khoa-0.96 m3, Sand-0.48 m3 & Cement-0.16 m3 per m3]	1	3.000	0.400	0.075	0.090	m3	0.000	0.415		0.043	0	0.086	0.000	0.086			0.129
4	Breaking of Jhama bats to Jhama khoa (63mm to 45mm); = 0.179 m3 [1-Usk per 1.20 m3]	1	0.086	x	1.100	0.095									0			0.079
5	125 mm thick Brick work with 1st class bricks in cement mortar (1 : 4) [3-Sk & 4-Usk per 24.0 m2] [Brick-4951 nos, Sand-3.66 m3 & Cement-0.914 m3 per % m2]	2	3.000	.	0.150	0.900	m2	45	0.24		0.03				0.11			0.15
6	Plaster (to wall, floor, ceiling etc.) with sand and cement mortar ii) With (1 : 4) cement mortar (c) 12 mm thick plaster [2-Sk & 3-Usk per 18.0 m2] [Cement-0.366 m3 & Sand-1.46 m3 per %m2]	2	3.000	0.425	.	3.000	m2				0.04				0.33			0.50
		1	3.000	.	0.150						0.32							
7	Neat cement punning about 1.5 mm. thick in wall, dado, window, sills, floor, drain etc. [2-Sk & 1-Usk per 50.0 m2] [Cement-0.152 m3 per %m2]	Same as the plastered area				3.000	m2		0.13						0.12			0.06
<b>Total</b>								<b>83.30</b>	<b>1.10</b>		<b>0.12</b>		<b>0.086</b>		<b>0.65</b>		<b>1.16</b>	
<b>Say</b>								<b>83.00</b>	<b>1.00</b>		<b>0.12</b>		<b>0.090</b>		<b>1.00</b>		<b>1.00</b>	

